

TEL : 82-32-880-0256
FAX : 82-32-889-5905
AFS : RKRRYNYX
E-mail : aisd@molit.go.kr
Web : http://ais.casa.go.kr

REPUBLIC OF KOREA
Ministry of Land, Infrastructure and Transport
Office of Civil Aviation
11, Doum 6-ro, Sejong-si, 30103, Republic of Korea

AIP
Supplement 22/19
21 NOV 2019

GEN : NIL

ENR : NIL

A D : ULSAN/Ulsan(RKPU)

TEMPORARY OBSTACLE ERECTED

1. INTRODUCTION

Obstacles are erected near Ulsan Airport.

2. PERIOD

From 0000 UTC 01 DEC 2019 To 1500 UTC 30 JUN 2021

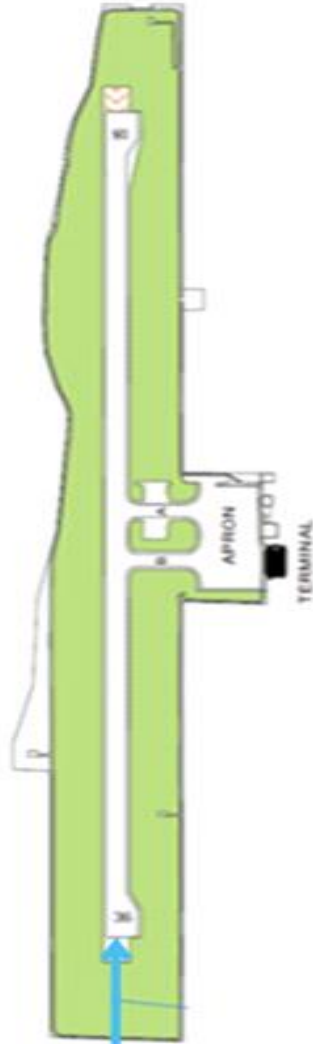
3. OBST INFORMATION

Working area	OBST Type	Position	MAX Height	
			AGL	AMSL
Yul-dong	2 Tower cranes	35°33'42.18"N 129°22'38.45"E Radius 60 m	88 m	105.8 m

4. REMARKS

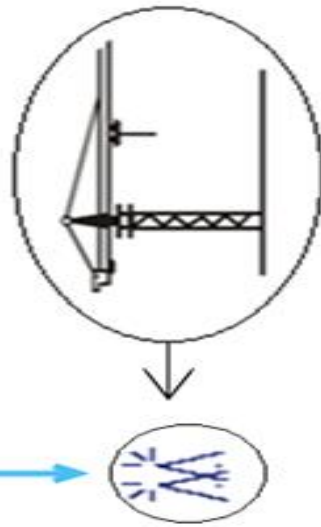
- (1) These cranes temporarily penetrate the conical surface of RKPU.
- (2) Tower cranes turn on its axis(each radius 55 m, 30 m).
- (3) Red lights have been installed on the top of cranes.
- (4) Any change to the contents of these pages will be notified by NOTAM.

5. DIAGRAM



2 685 m from
RWY 36 THR

2 100 m from
extended RCL



CONSTRUCTION SITE

MAX Height 88 m AGL
(105.8 m AMSL)

NOT TO SCALE